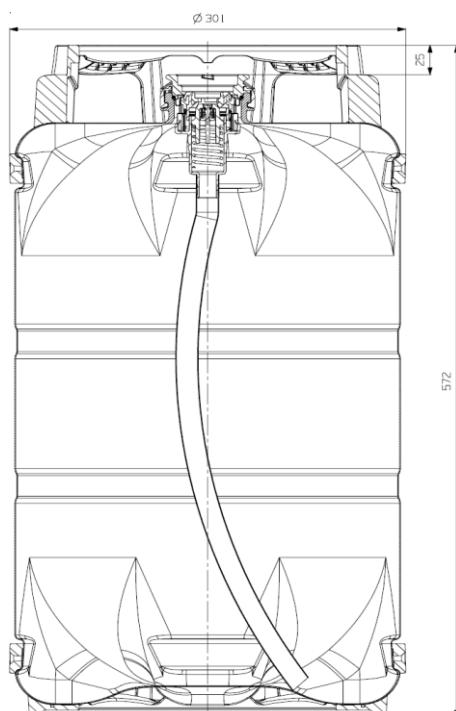
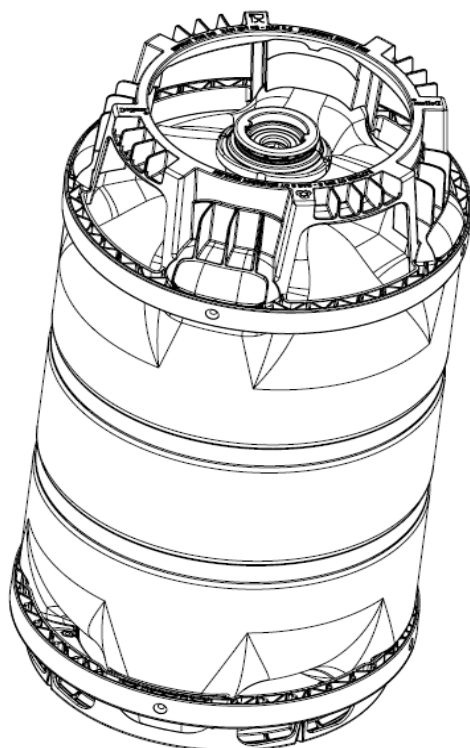


Dolium® 30L S

PRODUCT NUMBER : 10-30S-02



### Characteristics

#### KEG

Cycle	single use
Volume	30L
Dimensions	D x H = 301 x 572 mm
Weight (empty)	1,20 kg
Temperature	0°C < T < 35°C
Pre- pressure	1,0 bar CO2
Working pressure	3,5 bar max.
Pressure Relief Valve	5,2 bar +/- 0,2 bar

#### CONTAINER

Oxygen ingress	Active barrier
Carbondioxide	Passive barrier
UV ingress	UV light barrier

#### CONNECTION

Type	Well type = S(ankey)-type
------	---------------------------

#### CHIMES

Handling	vertical and horizontal
Storage	stackable

#### APPLICATIONS

Products	Beverages
Shelf life	Equal to stainless steel
Certificates	EU / FDA
Filling line	compatible - check recommended
Draught installation	compatible
Recycable	100%

for further detailed information please see Handling & Safety instructions

### Special features

### Contact

#### Dispack-projects NV

Address: Rostockweg 21, Kaai 312A  
 Town: 2030, Antwerpen  
 Country: Belgium

E-mail: [sales@dolium.eu](mailto:sales@dolium.eu)  
 Website: [www.dolium.eu](http://www.dolium.eu)